



UL-FM 200 PSI RESILIENT WEDGE GATE VALVE, SERIES 7000'S, KS-RW, KS-FW, MODEL 2638

2½" – 24"

Overview

Kennedy Valve Series 7000 KS-RW and KS-FW gate valves are resilient EPDM encapsulated ductile iron wedge gate valves that are used in fire protection systems and water service applications. They offer bubble tight, bi-directional, on-off flow control. Series 7000s are compliant with AWWA C515 4" to 12" and UL Listed and FM Approved as KS-RW and AWWA C509 compliant 2½" to 3" and UL Listed and FM Approved as KS-FW. Additionally, they are UL Listed and FM Approved 14" to 24" as Model 2638. All are constructed of durable ductile iron formulated to ASTM 70-50-05.

The Series 7000 family utilize triple EPDM o-ring stem seals and o-rings at the bonnet to body connection offering best in class performance and serviceability. The OS&Y utilizes a single o-ring and packing. The two uppermost stem o-rings of the NRS valve as well as OS&Y packing can be replaced while the valve is in service (consult our O&M for details).

Several end conditions are available including: ANSI CL 125 flange, IPS groove by groove, flanged by IPS grooved,

mechanical joint, push on for both C900 PVC and ductile iron pipe, as well as flange by MJ.

Series 7000s are coated with a high-performance heat curable, thermosetting fusion bonded epoxy system. This Kennedy Valve Powder coating system is FDA Title 21 section 175.300 accepted and is AWWA C550 compliant. 14" to 24" OS&Ys are also UL-Listed and FM Approved with two part epoxy enabling easy repairs and top coating.

All OS&Y valves are manufactured with pre-grooved stems to accommodate tamper switches by others.

Valves can be manufactured to be compliant with Buy American, Buy America, and AIS requirements.

All Kennedy KS-RWs and KS-FWs are manufactured and assembled at Kennedy Valve in Elmira, NY.

Manufacturing Standards - ISO 9001, ISO 14001, ISO 45001.



The KVOS2 tamper switch is an available option on 12" and smaller Kennedy OS&Ys, see page 7.



61/372



Technical Data

Available Sizes: 2½" to 24"

UL-FM Listed and Approved Pressure: 200psi, 250psi 14-16"

FLANGES

Stocked: ANSI B16.1 Flat Face Flange, CL 125, CL 150 Drilling

Optional: CL 125 with PN16 Drilling (12" and down)

GROOVED

Stocked: Standard IPS Grooves per ANSI/AWWA C606

FASTENERS

Stocked NRS: 304 Stainless Steel

Stocked OS&Y: Plated Steel

Optional: 316 Stainless Steel, OS&Y also available in 304 Stainless Steel

STEM

Non-Rising Gate Valve

Stocked: ASTM B584 High Strength Manganese Bronze

Optional: ASTM A276 Type 304ss, Type 316ss or ASTM B763 NDZ Bronze

OS&Y Gate Valve

Stocked: ASTM A276 Type 304ss, (12" and down), ASTM B98 Silicon Bronze (14" and larger)

Optional: ASTM A276 Type 316ss, ASTM B98 Silicon Bronze (Everdur), or ASTM B371 (Equal to: Eco Brass™)

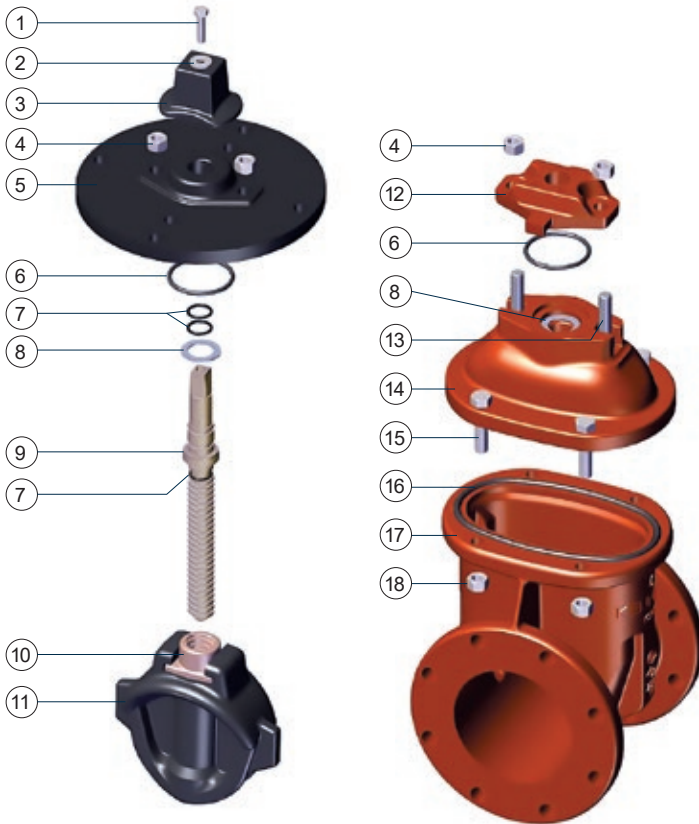
BODY TAPPING

All 12" and down Kennedy KS-RWs & KS-FWs can be tapped at up to four locations: A, B, E, F. See figure 3 on page 3 for locations on the valve body. Grooved end valves are stocked with A, B, & F locations tapped. All taps are ¾" NPT except 4" and down flanged valves are ½" NPT taps. Plugs are coated over during the Kennedy Powder Coating process. Plugs can be either silicon bronze or low carbon steel. The plugs are easily removed by utilizing deep well 4-point sockets.

Eco Brass is a Registered TM of Mitsubishi Metals Co.

Components

NRS WITH POST PLATE



OS&Y



Figure 1

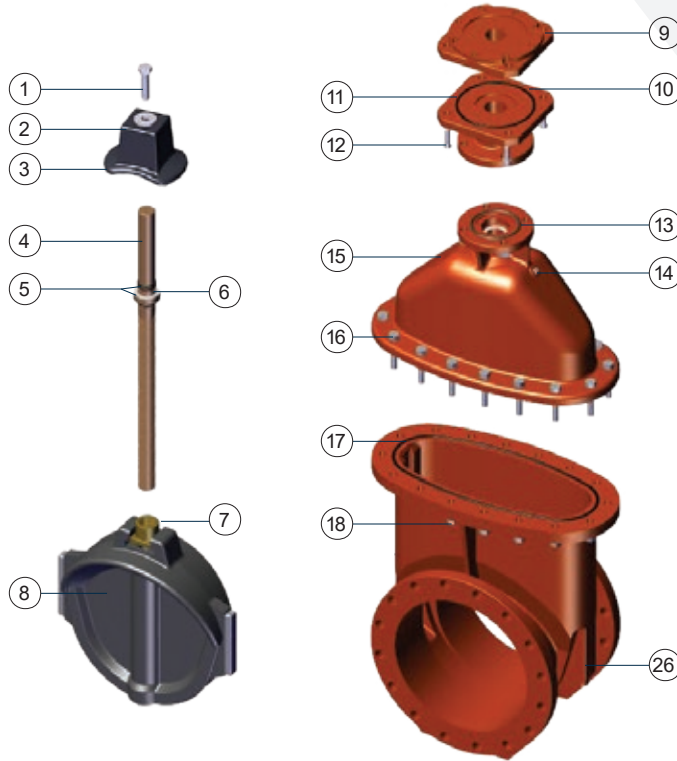
Dimensions

| No. | NRS | OS&Y | Description | Material |
|-----|-----|------|------------------------------------|--|
| 1 | • | | Op-Nut Bolt | Stainless Steel |
| 2 | • | | Op-Nut Washer | Stainless Steel |
| 3 | • | | Op-Nut | Ductile Iron |
| 4 | • | • | Post Plate/Stuffing Box Nut | Stainless Steel |
| 5 | • | | Post Plate | Cast Iron |
| 6 | • | | Post Plate/Stuffing Box O-Ring | Rubber |
| 7 | • | • | Stem O-Rings | Rubber |
| 8 | • | | Thrust Teflon Washer | Plastic |
| 9 | • | | Stem | Manganese Bronze |
| 10 | • | | Stem Nut | Bronze |
| 11 | • | • | Resilient Wedge | EPDM Encapsulated Ductile Iron |
| 12 | • | | Stuffing Box | Ductile Iron |
| 13 | • | | Post Plate/Stuffing Box Plate Bolt | Ductile Iron/Stainless |
| 14 | • | • | Cover | Ductile Iron |
| 15 | • | • | Bonnet/Cover/Body Bolt | Plated Steel (OS&Y) Stainless Steel (NRS) |
| 16 | • | • | Bonnet/Cover/Body O-Ring | Rubber |

| No. | NRS | OS&Y | Description | Material |
|-----|-----|------|-----------------------|--|
| 17 | • | • | Body | Ductile Iron |
| 18 | • | • | Bonnet/Cover/Body Nut | Plated Steel (OS&Y) Stainless Steel (NRS) |
| 19 | | • | Packing Gland | Ductile Iron |
| 20 | | • | Packing | Garlock Style 18 |
| 21 | | • | Handwheel Nut | Bronze |
| 22 | | • | Handwheel | Cast Iron |
| 23 | | • | Bonnet/Cover | Ductile Iron |
| 24 | | • | Yoke Washer | Plastic |
| 25 | | • | Yoke Nut | Bronze |
| 26 | | • | Packing Bolt | Plated Steel |
| 27 | | • | Hex Nut | Brass |
| 28 | | • | Stem | Pre-Grooved Stainless Steel |
| 29 | | • | Stem O-Ring | Rubber |
| 30 | | • | Stem Pin | Stainless Steel |
| 31 | | • | Stem Nut | Bronze |
| 32 | | • | Handwheel Yoke Washer | Brass |

Components

NRS WITH POST PLATE



OS&Y

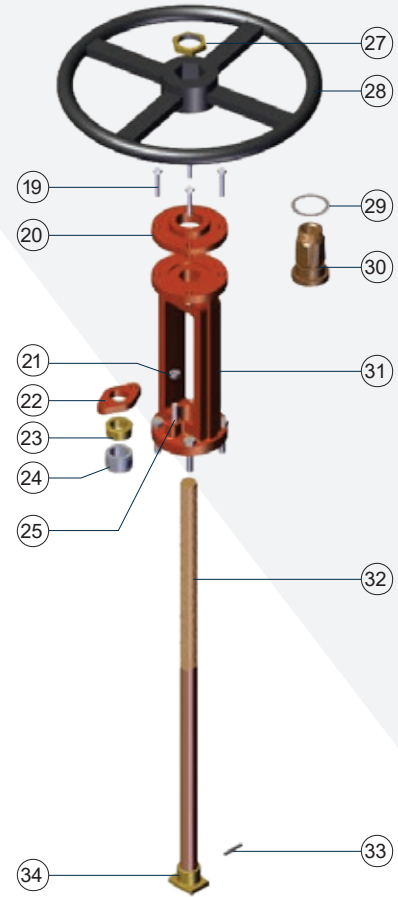


Figure 2: See page 14 for info on the CleanTrack™ system installed on 24" valves.

Dimensions

| No. | NRS | OS&Y | Description | Material |
|-----|-----|------|-----------------------|--|
| 1 | • | | Op-Nut Bolt | Stainless Steel |
| 2 | • | | Op-Nut Washer | Stainless Steel |
| 3 | • | | Op-Nut | Ductile Iron |
| 4 | • | | NRS Stem | Manganese Bronze |
| 5 | • | | NRS Stem O-Ring | Rubber |
| 6 | • | | Thrust Washer | Plastic |
| 7 | • | | NRS Stem Nut | Bronze |
| 8 | • | • | Resilient Wedge | EPDM Encapsulated Ductile Iron |
| 9 | • | | Post Plate | Ductile Iron |
| 10 | • | | Stand/Plate O-Ring | Rubber |
| 11 | • | | NRS Extension Stand | Ductile Iron |
| 12 | • | | Stand/Plate Bolt | Stainless Steel |
| 13 | • | | Stand/Cover O-Ring | Rubber |
| 14 | • | • | Pipe Plug | Stainless Steel |
| 15 | • | • | Cover | Ductile Iron |
| 16 | • | • | Cover/Body Hex Bolts | Stainless Steel |
| 17 | • | • | Cover/Body O-Ring | Rubber |
| 18 | • | • | Bonnet/Cover/Body Nut | Plated Steel (OS&Y) Stainless Steel (NRS) |

| No. | NRS | OS&Y | Description | Material |
|-----|-----|------|-----------------------|------------------|
| 19 | | • | Yoke/Plate Hex Nut | Plated Steel |
| 20 | | • | Retainer Plate | Cast Iron |
| 21 | | • | Packing Gland Hex Nut | Plated Steel |
| 22 | | • | Follower Plate | Ductile Iron |
| 23 | | • | Follower Gland | Bronze |
| 24 | | • | Packing | Garlock Style 18 |
| 25 | | • | Follower Bolt | Plated Steel |
| 26 | | • | Body | Ductile Iron |
| 27 | | • | Wheel Nut | Bronze |
| 28 | | • | Hand Wheel | Cast Iron |
| 29 | | • | Yoke Washer | Plastic |
| 30 | | • | Yoke Nut | Bronze |
| 31 | | • | Yoke | Ductile Iron |
| 32 | | • | Stem | Silicon Bronze |
| 33 | | • | Stem Pin | Stainless Steel |
| 34 | | • | OS&Y Stem Nut | Bronze |

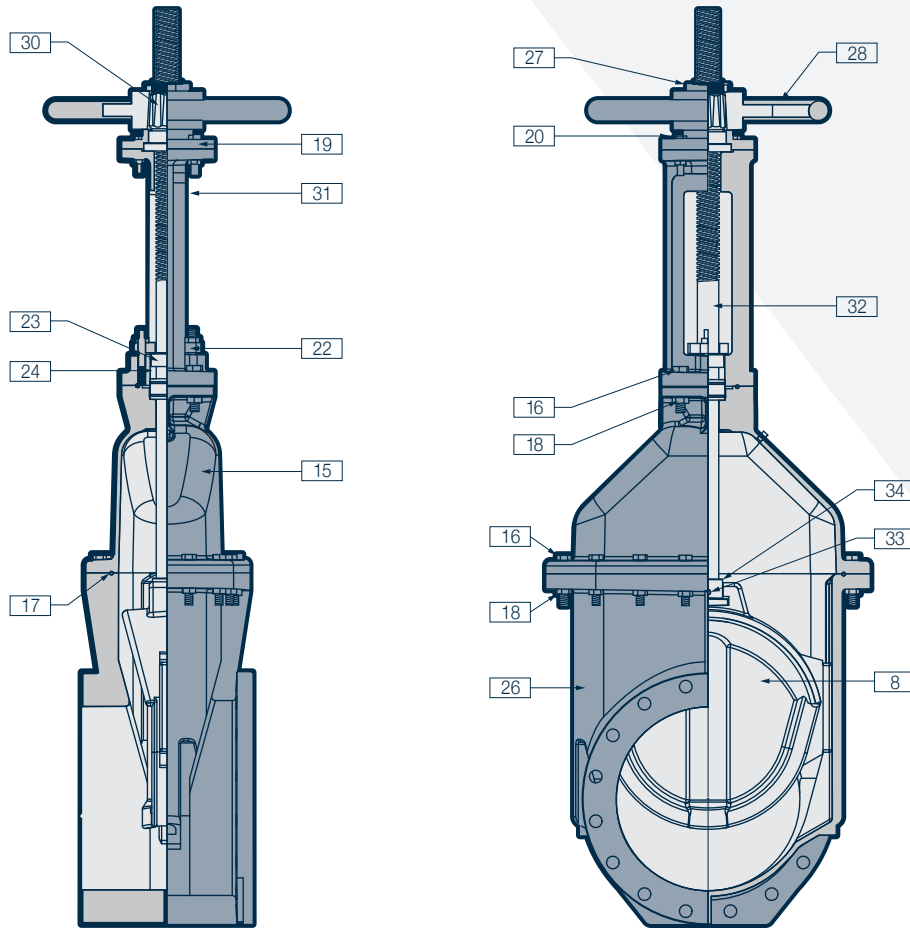


Figure 3: See page 14 for info on the CleanTrack™ system installed on 24" valves.

Bill of Materials

| Item | Description | No Req'd | Material |
|-------|-------------------------|----------|-----------------------------|
| 27 | Handwheel Nut | 1 | Bronze |
| 28 | Handwheel | 1 | Cast Iron |
| 16/18 | Hex Head Bolts/Hex Nuts | varies | Plated Steel |
| 15 | Bonnet/Cover | 1 | Ductile Iron |
| 24 | Packing | 1 | Garlock Style 18 |
| 32 | Stem | 1 | Silicon Bronze |
| 17 | O-Ring | 1 | Buna-N |
| 26 | Body | 1 | Ductile Iron |
| 8 | Resilient Wedge | 1 | DI, EPDM Encapsulated Wedge |
| 30 | Yoke Nut | 1 | Bronze |
| 22 | Follower Plate | 1 | Ductile Iron |
| 19 | Yoke/Plate Hex Bolt | 4 | Plated Steel |
| 34 | Stem Nut | 1 | Bronze |
| 31 | Yoke | 1 | Cast Iron |
| 20 | Retainer Plate | 1 | Cast Iron |
| 33 | Stem Pin | 1 | Stainless Steel |
| 23 | Follower Gland | 1 | Bronze |

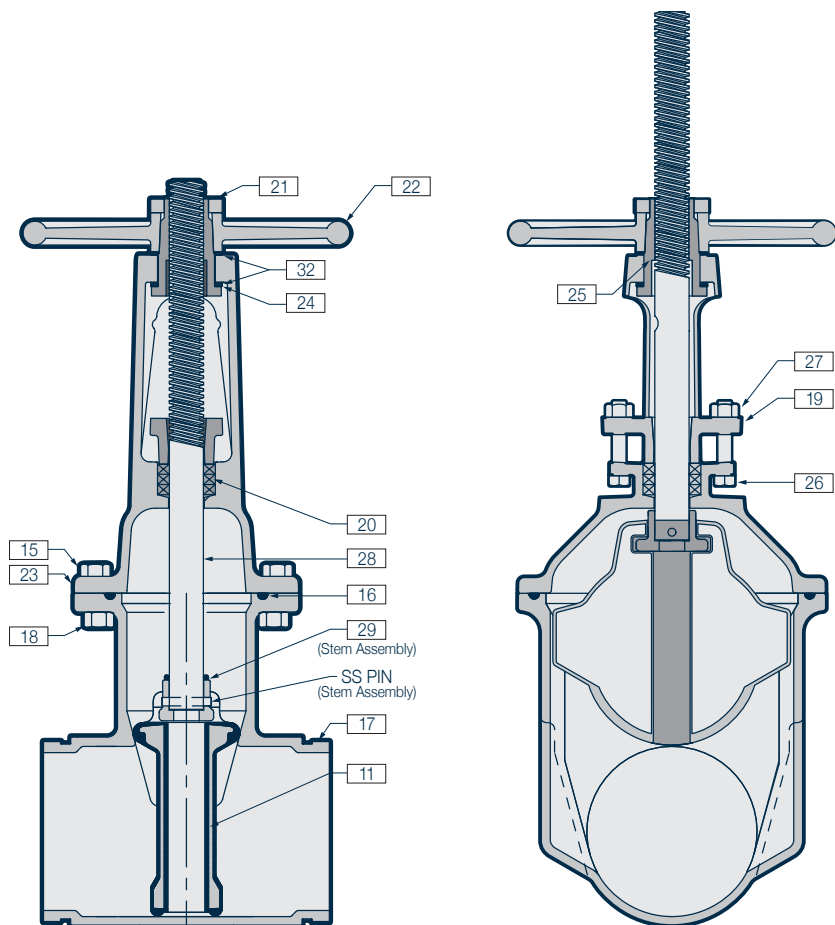


Figure 4

All standard OS&Y valves be provided with smooth stems (no switch activation details)

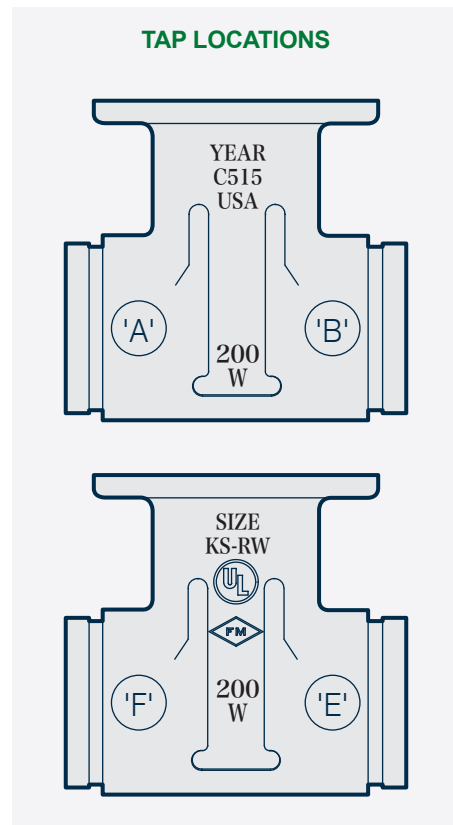


Figure 5

Bill of Materials

| Item | Description | No Req'd | Material |
|-------|-----------------------------|----------|--------------------------------|
| 21 | Handwheel Nut | 1 | Bronze |
| 22 | Handwheel | 1 | Cast Iron |
| 32 | Thrust Washer (upper/lower) | 1 ea | Bronze (2"/2.5" Delrin/Celcon) |
| 24 | Anti-Friction Bearing | 1 | Nylatron Sizes 3" - 12" |
| 15/18 | Hex Head Bolts / Hex Nuts | varies | Plated Steel |
| 23 | Bonnet/Cover | 1 | Ductile Iron |
| 20 | Packing | 1 | Square Braided Non-Asbestos |
| 28 | Stem | 1 | 304 Stainless Steel |
| 16 | O-Ring | 1 | Buna-N |
| 29 | O-Ring (Stem Assembly) | 1 | Buna-N |
| 17 | Body | 1 | Ductile Iron |
| 11 | Resilient Wedge | 1 | DI, EPDM Encapsulated Wedge |
| 25 | Yoke Nut | 1 | Bronze |
| 27 | Hex Nuts | 2 | Brass |
| 19 | Gland | 1 | Ductile Iron |
| 26 | Square Head Bolts | 2 | Plated Steel |

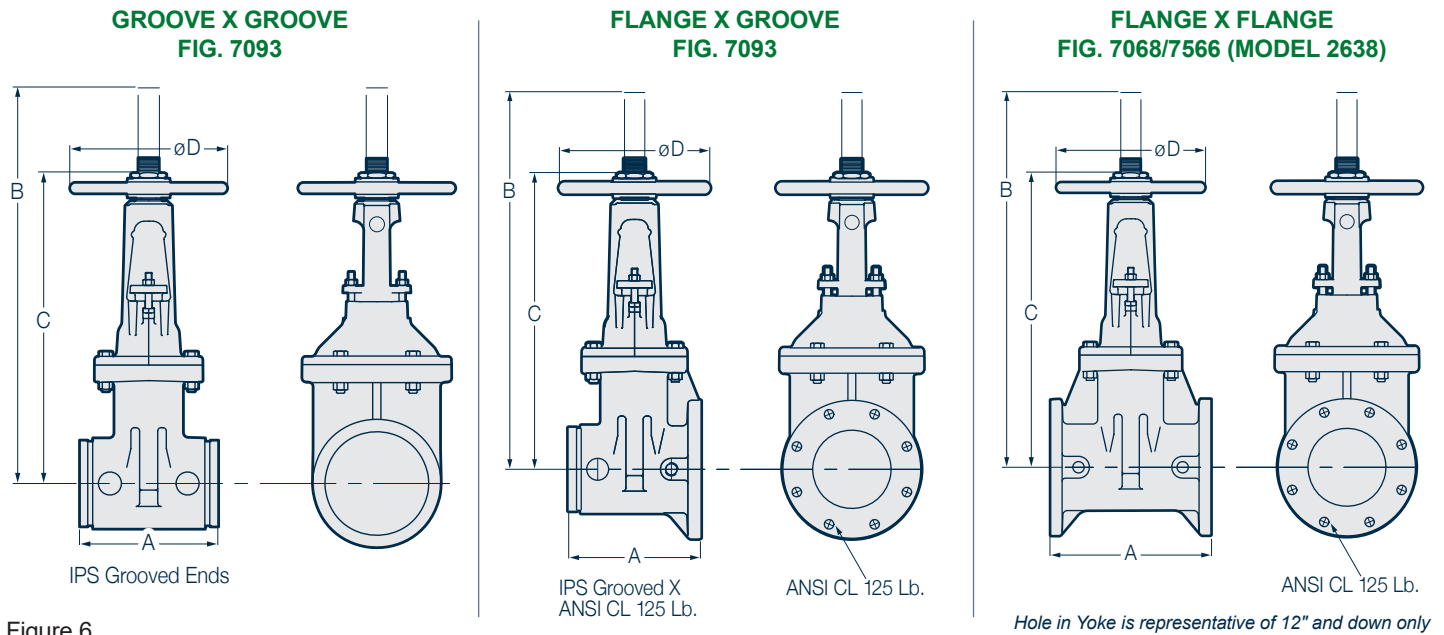


Figure 6

DIMENSIONS, WEIGHT, AND OPERATIONAL DATA – FIG. 7093, FIG. 7092, FIG. 7068, FIG. 7566

| Size | Nominal Dimensions | | | | No. of Bolts and Bolt Size per Flange | Turns to Operate | Weights in Pounds | | | Cv Full Open |
|------|--------------------|-------|------|-----|---------------------------------------|------------------|-------------------|-------|-------|--------------|
| | A | B | C | ØD | | | G x G | G x F | F x F | |
| 2½" | 7½" | 16¾" | 13⅞" | 6½" | 4 - ⅝" | 8 | 37 | 40 | 52 | 500 |
| 3" | 8" | 18⅞" | 15⅝" | 10" | 4 - ⅝" | 10 | 48 | 57 | 67 | 800 |
| 4" | 9" | 22¾" | 18¼" | 10" | 8 - ⅝" | 13½ | 74 | 77 | 92 | 1500 |
| 6" | 10½" | 30⅞" | 23¾" | 12" | 8 - ¾" | 19½ | 103 | 115 | 141 | 3600 |
| 8" | 11½" | 37¾" | 29¼" | 14" | 8 - ¾" | 25½ | 139 | 171 | 213 | 6700 |
| 10" | 13" | 45¾" | 35⅝" | 18" | 12 - ⅞" | 31½ | 294 | N/A | 369 | 10,500 |
| 12" | 14" | 53⅞" | 40⅝" | 18" | 12 - ⅞" | 37¾ | 326 | N/A | 479 | 15,000 |
| 14"† | 15" | 78⅞" | 60¾" | 18" | 12 - 1" | 52 | N/A | N/A | 670 | 20,800 |
| 16"† | 16" | 77½" | 60¾" | 18" | 16 - 1" | 52 | N/A | N/A | 735 | 27,200 |
| 18" | 17" | 92⅞" | 83¾" | 24" | 16 - 1¼" | 64 | N/A | N/A | 1100 | 34,400 |
| 20" | 18" | 94⅞" | 84⅞" | 24" | 20 - 1¼" | 64 | N/A | N/A | 1325 | 42,400 |
| 24" | 20" | 110⅞" | 97⅞" | 24" | 20 - 1⅝" | 76 | N/A | N/A | 1900 | 61,100 |

†14" and 16" valves are UL Listed and FM approved to 250 psi.



Resilient Seated Gate Valves w/KVOS (Factory Installed Tamper)

KSRW OS&Y – FLANGED, FLANGED X GROOVE, GROOVE & ENDS GENERAL INFORMATION

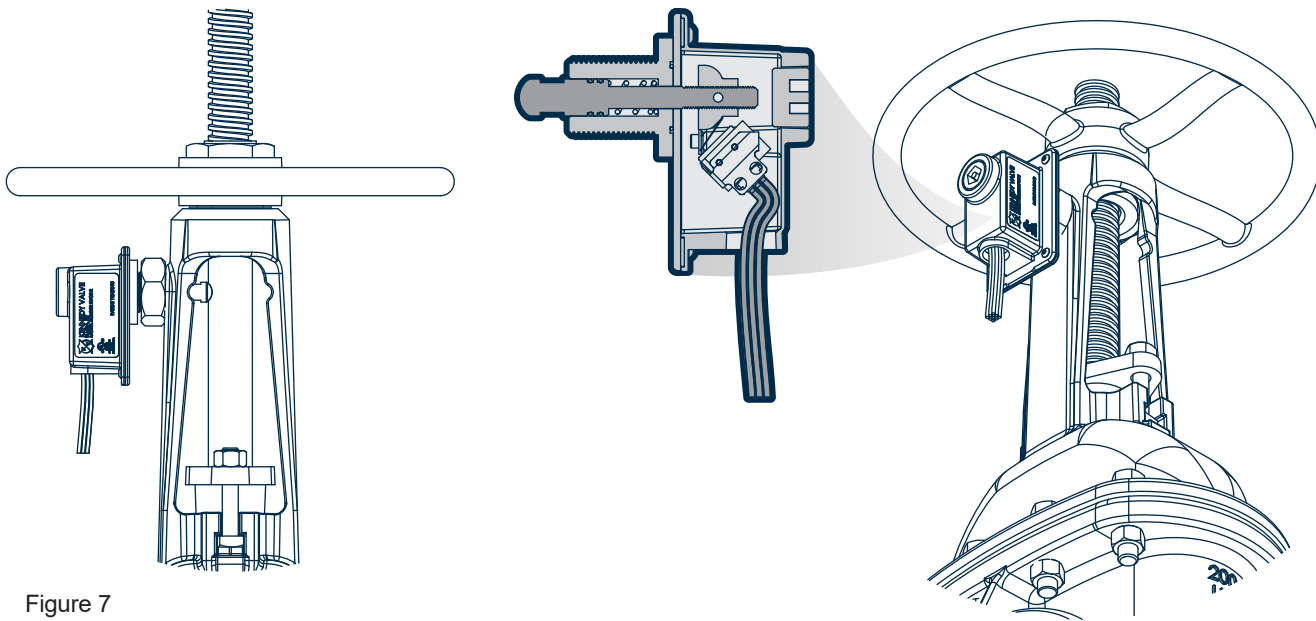


Figure 7



KVOS-2 FOR 2½"-12" OS&Y VALVES

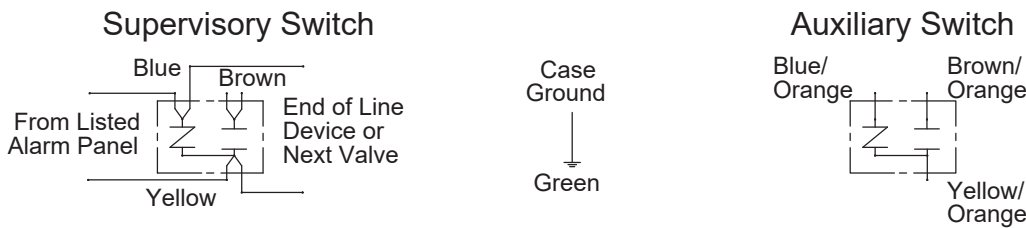


Figure 8

Rated: 120 VAC, 28 VDC, .25 A

WIRING NOTES: Connection to power limited circuitry is required. Auxiliary switch is for supplemental use only, and shall not be used for fire alarm signaling applications.

Switches are checked at factory, check continuity with valve fully open, switches activate within two turns from open.

CAUTION: PRIOR TO INSTALLATION OF SUPERVISORY SWITCHES IN FIRE PROTECTION SYSTEMS REFER TO THE FOLLOWING STANDARDS:

- NFPA 13: STANDARD FOR THE INSTALLATION OF SPRINKLER SYSTEMS
- NFPA 25: INSPECTION, TESTING, MAINTENANCE OF WATER BASED FIRE PROTECTION SYSTEMS
- NFPA 70: NATIONAL ELECTRICAL CODE
- NFPA 72: NATIONAL FIRE ALARM CODE
- CSA C22.1 NO.1 CANADIAN ELECTRICAL CODE, PART 1, SAFETY STANDARD FOR ELECTRICAL INSTALLATIONS SECTION 32
- CAN/ULC-S524, STANDARD FOR INSTALLATION OF FIRE ALARM SYSTEMS

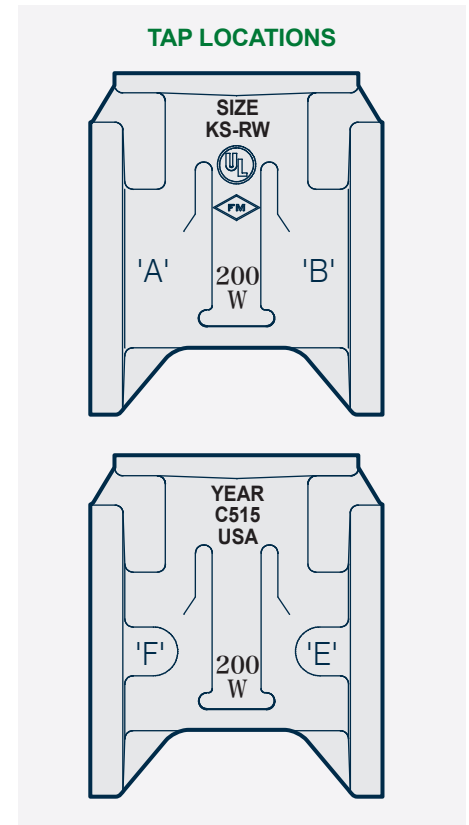
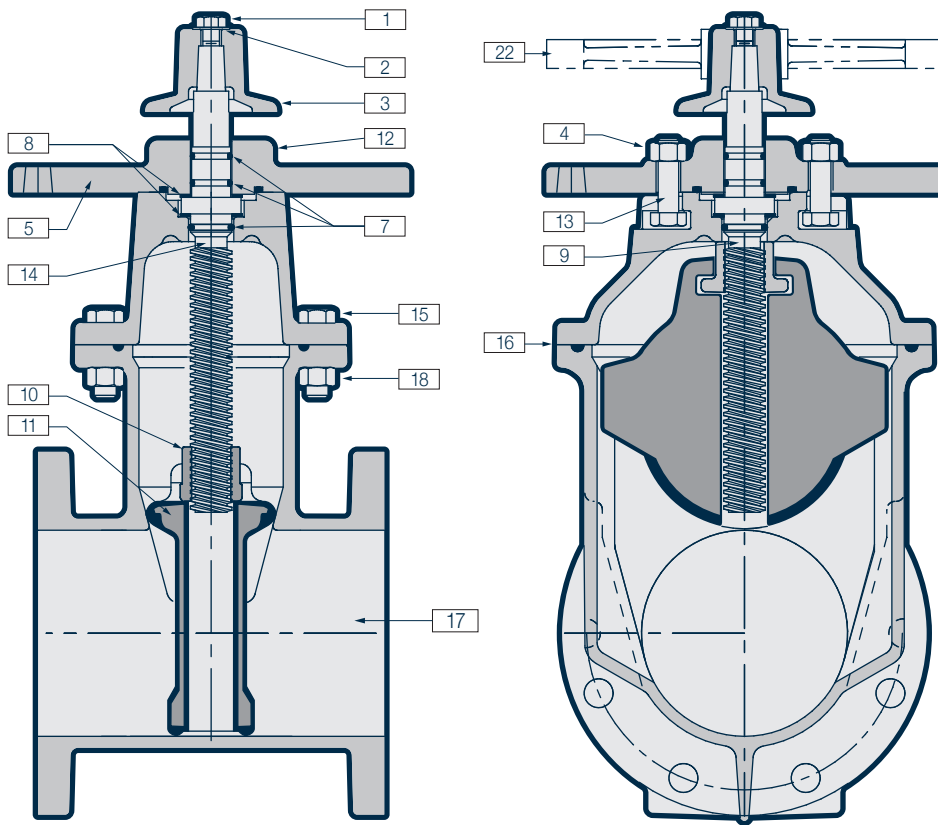


Figure 9

Figure 10

Bill of Materials

| Item | Description | No Req'd | Material |
|------|-------------------------------|----------|--|
| 1 | Hex Head Bolt | 1 | Stainless Steel |
| 2 | Flat Washer | 1 | Steel, Plated |
| 3 | Operating Nut | 1 | Cast Iron |
| 12 | Stuffing Box | 1 | Ductile Iron |
| 8 | Thrust Washer | 1 | 2" & 2.5" Delrin |
| | | 2 | 3" - 12" Delrin |
| 5 | Post Adaptor Plate (Optional) | 1 | Cast Iron (4 – ¾" holes on a 10½" diameter B.C.) |
| 14 | Bonnet/cover | 1 | Ductile Iron |
| 10 | Stem Nut | 1 | Bronze |
| 11 | EPDM Encapsulated Wedge | 1 | Ductile Iron |
| 12 | Stuffing Box | 1 | Ductile Iron |
| 7 | O-ring (Stem) | 3 | Buna-N |
| 15 | Hex. Head Bolts | Varies | Stainless Steel |
| 18 | Hex. Nuts | Varies | Stainless Steel |
| 17 | Body | 1 | Ductile Iron |
| 22 | Handwheel (Optional) | 1 | Cast Iron |
| 4 | Hex. Nuts | 2 | Stainless Steel |
| 13 | Stuffing Box Bolts | 2 | Stainless Steel |
| 9 | Stem | 1 | Bronze |
| 16 | O-ring (Cover) | 1 | Buna-N |

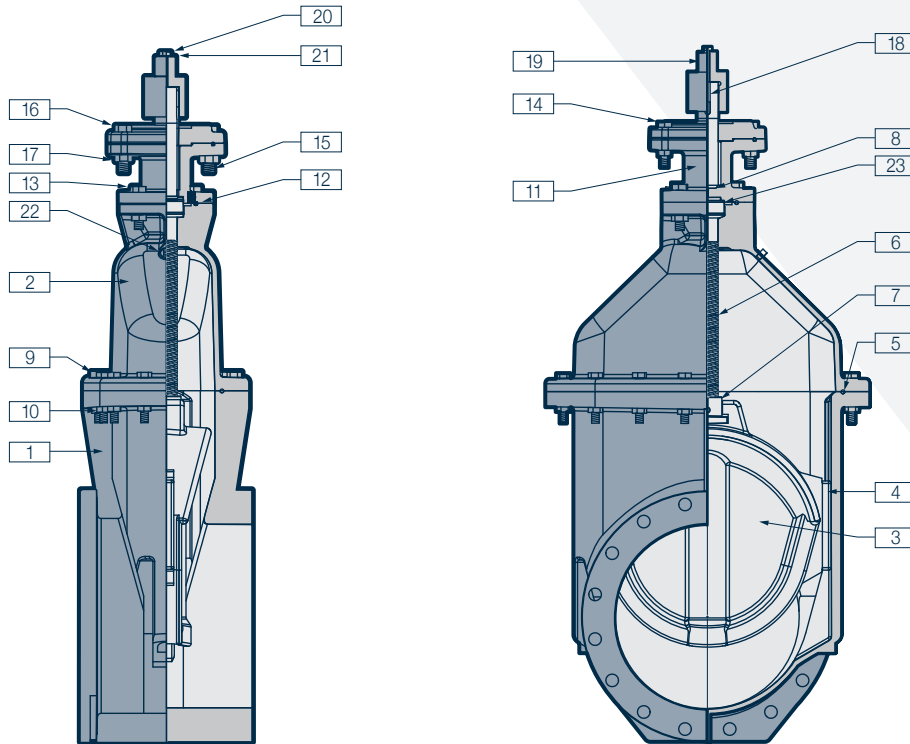


Figure 11: See page 14 for info on the CleanTrack™ system installed on 24" valves.

Bill of Materials

| Item | Description | No Req'd | Material |
|------|-------------------------|----------|-----------------------------------|
| 1 | Body | 1 | Ductile Iron |
| 2 | Cover | 1 | Ductile Iron |
| 3 | EDPM Encapsulated Wedge | 1 | EPDM Rubber and Ductile Iron |
| 4 | Wedge Cap | 1 | Delrin |
| 5 | O-Ring | 1 | EPDM Rubber and Ductile Iron Disc |
| 6 | Stem | 1 | Manganese Bronze |
| 7 | Stem Nut | 1 | Bronze |
| 8 | O-Ring | 1 | EPDM |
| 9 | Hex Bolt | Varies | Stainless Steel |
| 10 | Hex Nut | Varies | Stainless Steel |
| 11 | Extension (Stand) | 1 | Ductile Iron |
| 12 | O-Ring | 1 | EPDM |
| 13 | Hex Bolt | 2 | Stainless Steel |
| 14 | Indicator Adaptor Plate | 1 | Ductile Iron |
| 15 | O-Ring | 1 | EPDM |
| 16 | Hex Bolt | 4 | Stainless Steel |
| 17 | Nex Nut | 4 | Stainless Steel |
| 18 | Key | 1 | Steel |
| 19 | Operating Nut | 1 | Gray or Ductile Iron |
| 20 | Bolt | 1 | Stainless Steel |
| 21 | Flat Washer | 1 | Steel Plated |
| 22 | Pipe Plug | 1 | Carbon or Stainless Steel |
| 23 | Thrust Washer | Varies | Delrin |

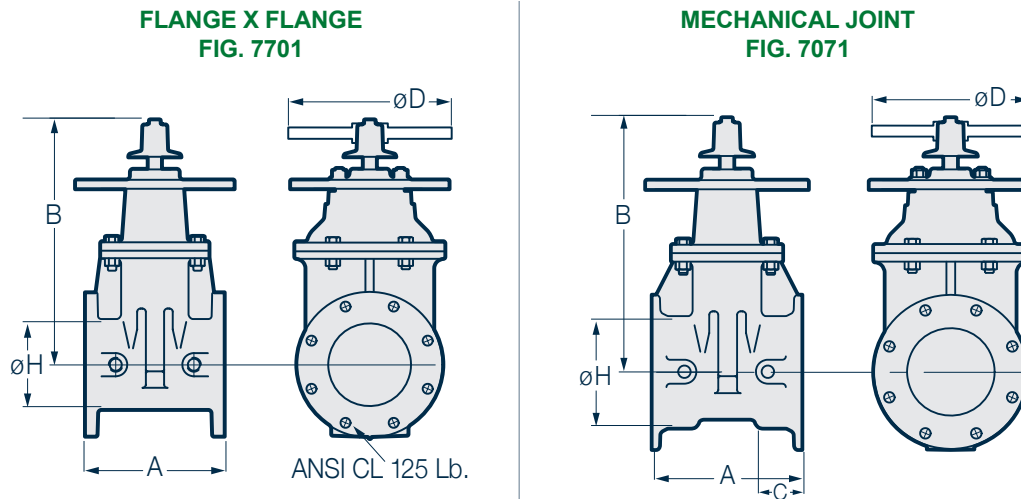


Figure 12 – All images are shown with Post Plate.

DIMENSIONS, WEIGHT, AND OPERATIONAL DATA - CLASS 125 FLANGE - FIG. 7701

| Size | Nominal Dimensions | | | C (depth of socket) | No. of Bolts per Flange and Bolt Size | Weight with Plate | ØD Optional Handwheel Diameter | Turns to Operate | Post Plate Diameter | Cv Full Open |
|------------------|----------------------------------|----------------------------------|-----------------------------------|------------------------|---------------------------------------|-------------------|--------------------------------|------------------|----------------------------------|--------------|
| | A | ØH | B | | | | | | | |
| 3"* | 8" | 3" | 12 ³ / ₈ " | N.A. | 4 - 5/8" | 80 | 10" | 10 | 12" | 800 |
| 4" | 9" | 4 ¹ / ₄ " | 14 ³ / ₄ " | N.A. | 4 - 3/4" | 102 | 10" | 13 | 12" | 1500 |
| 6" | 10 ¹ / ₂ " | 6 ¹ / ₄ " | 19" | N.A. | 6 - 3/4" | 139 | 12" | 19 | 12" | 3600 |
| 8" | 11 ¹ / ₂ " | 8 ¹ / ₄ " | 22 ¹ / ₂ " | N.A. | 6 - 3/4" | 208 | 14" | 25 | 12" | 6700 |
| 10" | 13" | 10 ¹ / ₄ " | 26 ¹ / ₂ " | N.A. | 8 - 3/4" | 350 | 18" | 31 | 12" | 10500 |
| 12" | 14" | 12 ¹ / ₄ " | 30" | N.A. | 8 - 3/4" | 445 | 18" | 37 | 12" | 15000 |
| 14" [†] | 15" | 14 ¹ / ₄ " | 38 ³ / ₄ " | N.A. | 12 - 1" | 670 | 26" | 52 | 12" | 20800 |
| 16" [†] | 16" | 16 ¹ / ₄ " | 37 ³ / ₄ " | N.A. | 16 - 1" | 720 | 26" | 52 | 12" | 27200 |
| 18" | 17" | 18 ¹ / ₄ " | 57 ¹ / ₁₆ " | N.A. | 16 - 1 ¹ / ₄ " | 1100 | 26" | 64 | 13 ¹ / ₄ " | 34400 |
| 20" | 18" | 20 ¹ / ₄ " | 56 ¹ / ₄ " | N.A. | 20 - 1 ¹ / ₄ " | 1325 | 26" | 64 | 13 ¹ / ₄ " | 42400 |
| 24" | 20" | 24 ¹ / ₄ " | 60 ¹ / ₁₆ " | N.A. | 20 - 1 ³ / ₈ " | 1732 | 30" | 76 | 13 ¹ / ₄ " | 61100 |

DIMENSIONS, WEIGHT, AND OPERATIONAL DATA - MJ - FIG. FIG. 7071

| Size | Nominal Dimensions | | | C (depth of socket) | No. of Bolts per Flange and Bolt Size | Weight with Plate | ØD Optional Handwheel Diameter | Turns to Operate | Post Plate Diameter | Cv Full Open |
|------------------|-----------------------------------|----------------------------------|-----------------------------------|---------------------------------|---------------------------------------|-------------------|--------------------------------|--------------------------------|----------------------------------|--------------|
| | A | ØH | B | | | | | | | |
| 3"* | 8 ¹ / ₂ " | 3" | 12 ³ / ₈ " | 2 ¹ / ₂ " | 4 - 5/8" | 60 | 10" | 10 | 12" | 800 |
| 4" | 9 ¹ / ₂ " | 4 ¹ / ₄ " | 14 ³ / ₄ " | 2 ¹ / ₂ " | 4 - 3/4" | 90 | 10" | 13 ¹ / ₂ | 12" | 1500 |
| 6" | 10 ¹ / ₂ " | 6 ¹ / ₄ " | 19" | 2 ¹ / ₂ " | 6 - 3/4" | 128 | 12" | 19 ¹ / ₂ | 12" | 3600 |
| 8" | 13 ¹ / ₈ " | 8 ¹ / ₄ " | 22 ¹ / ₂ " | 2 ¹ / ₂ " | 6 - 3/4" | 189 | 14" | 25 ¹ / ₂ | 12" | 6700 |
| 10" | 15 ¹ / ₂ " | 10 ¹ / ₄ " | 26 ¹ / ₂ " | 2 ¹ / ₂ " | 8 - 3/4" | 301 | 18" | 31 ¹ / ₂ | 12" | 10500 |
| 12" | 16" | 12 ¹ / ₄ " | 30" | 2 ⁵ / ₈ " | 8 - 3/4" | 384 | 18" | 37 ³ / ₄ | 12" | 15000 |
| 14" [†] | 17" | 14 ¹ / ₄ " | 38 ³ / ₄ " | 3 ¹ / ₂ " | 10 - 3/4" | 670 | 26" | 52 | 12" | 20800 |
| 16" [†] | 17" | 16 ¹ / ₄ " | 37 ³ / ₄ " | 3 ¹ / ₂ " | 12 - 3/4" | 735 | 26" | 52 | 12" | 27200 |
| 18" | 18 ³ / ₄ " | 18 ¹ / ₄ " | 57 ¹ / ₁₆ " | 3 ¹ / ₂ " | 12 - 7/8" | 1100 | 26" | 64 | 13 ¹ / ₄ " | 34400 |
| 20" | 18 ⁵ / ₁₆ " | 20 ¹ / ₄ " | 56 ¹ / ₄ " | 3 ¹ / ₂ " | 14 - 7/8" | 1325 | 26" | 64 | 13 ¹ / ₄ " | 42400 |
| 24" | 20" | 24 ¹ / ₄ " | 60 ¹ / ₁₆ " | 3 ¹ / ₂ " | 16 - 7/8" | 1800 | 30" | 76 | 13 ¹ / ₄ " | 61100 |

*AWWA C509 compliant.

[†]14" and 16" valves are UL Listed and FM approved to 250 psi.

FLANGE X MECHANICAL JOINT
FIG. 7702

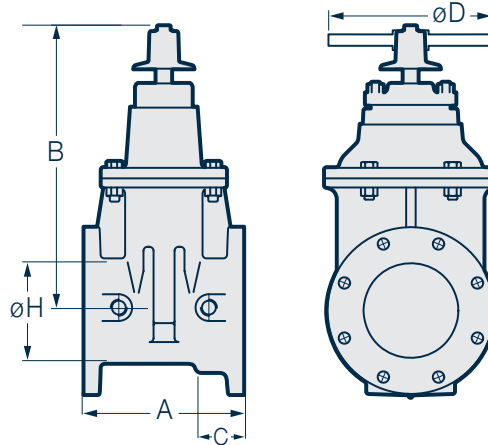


Figure 13

DIMENSIONS, WEIGHT, AND OPERATIONAL DATA - FLG X MJ - FIG. 7702

| Size | Nominal Dimensions | | | C | No. of Bolts per | Weight | ØD Optional | Turns to | Post Plate | Cv |
|------------------|------------------------------------|-----------------------------------|-----------------------------------|---------------------------------|---|------------|--------------------|--------------------------------|------------|-----------|
| | A | ØH | B | (depth of socket) | Flange and Bolt Size | with Plate | Handwheel Diameter | Operate | Diameter | Full Open |
| 3" * | 8¼" | 4 ¹³ / ₁₆ " | 12 ³ / ₈ " | 2½" | 4 - 5/8" 4 - 5/8" | N/A | 10" | 10 | 12" | 800 |
| 4" | 9¼" | 4¼" | 14 ³ / ₄ " | 2½" | 8 - 5/8" 4 - 3/4" | 96 | 10" | 13½ | 12" | 1500 |
| 6" | 10½" | 6¼" | 19" | 2½" | 8 - 3/4" 6 - 3/4" | 132 | 12" | 19½ | 12" | 3600 |
| 8" | 12 ⁵ / ₁₆ " | 8¼" | 22½" | 2½" | 8 - 3/4" 6 - 3/4" | 199 | 14" | 25½ | 12" | 6700 |
| 10" | 14¼" | 10¼" | 26½" | 2½" | 12 - 7/8" 8 - 3/4" | 325 | 18" | 32 | 12" | 10500 |
| 12" | 15" | 12¼" | 30" | 2 ⁵ / ₈ " | 12 - 7/8" 8 - 3/4" | 407 | 18" | 37 ³ / ₄ | 12" | 15000 |
| 14" [†] | 17 ³ / ₈ " | 14 ¹ / ₄ " | 37 ³ / ₄ " | 3 ¹ / ₂ " | 12 - 1" 10 - 3/4" | 670 | 26" | 52 | 12" | 20800 |
| 16" [†] | 16 ⁷ / ₈ " | 16 ¹ / ₄ " | 37 ³ / ₄ " | 3 ¹ / ₂ " | 16 - 1" 12 - 3/4" | 730 | 26" | 52 | 12" | 27200 |
| 18" | 18 ¹³ / ₁₆ " | 18 ¹ / ₄ " | 57 ¹ / ₁₆ " | 3 ¹ / ₂ " | 16 - 1 ¹ / ₄ " 12 - 7/8" | 1100 | 26" | 64 | 13¼" | 34400 |
| 20" | 18 ¹⁵ / ₃₂ " | 20 ¹ / ₄ " | 56 ¹ / ₄ " | 3 ¹ / ₂ " | 20 - 1 ¹ / ₄ " 14 - 7/8" | 1325 | 26" | 64 | 13¼" | 42400 |
| 24" | 20 ¹ / ₂ " | 24 ¹ / ₄ " | 60 ¹ / ₁₆ " | 3 ¹ / ₂ " | 20 - 1 ³ / ₈ " 16 - 7/8" | 1765 | 30" | 76 | 13¼" | 61100 |

*AWWA C509 compliant.

[†]14" and 16" valves are UL Listed and FM approved to 250 psi.

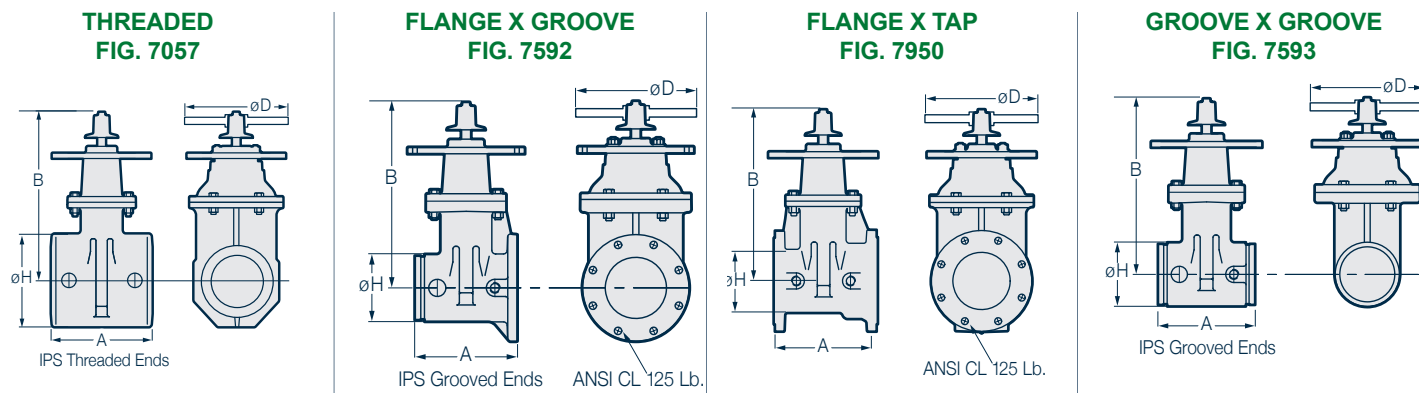


Figure 14

All NRS Post Plates are 12" diameter unless otherwise noted.

DIMENSIONS, WEIGHT, AND OPERATIONAL DATA - THREADED - FIG. 7057

| Size | Nominal Dimensions | | | C (depth of socket) | No. of Bolts per Flange and Bolt Size | Weight with Plate | ØD Optional Handwheel Diameter | Turns to Operate | Post Plate Diameter | Cv Full Open |
|------|--------------------|----|------|------------------------|---------------------------------------|-------------------|--------------------------------|------------------|---------------------|--------------|
| | A | ØH | B | | | | | | | |
| 2½" | 7 | | 11⅝" | | N/A | N/A | 6" | 8 | 12" | 500 |
| 3" | 7¼" | | 12⅜" | | N/A | N/A | 10" | 10 | 12" | 800 |

*AWWA C509 compliant

DIMENSIONAL WEIGHT AND OPERATIONAL DATA - FIG. 7592 / 7950 / 7593

NRS FLANGED END ANSI CL 125, GROOVED, GROOVED BY FLANGED, FLANGE X TAP (4" TO 12" ONLY)

| Size | Nominal Dimensions | | | No. of Bolts per Flange and Bolt Size | Weight (with plate) | ØD Optional Handwheel Diameter | Turns to Operate | Post Plate Diameter | Cv Full Open |
|------|--------------------|------|------|---------------------------------------|---------------------|--------------------------------|------------------|---------------------|--------------|
| | A | ØH | B | | | | | | |
| 2½" | 7½" | 2½" | 11⅝" | 4 - ⅝" | 65 | 7¼" | 8 | 12" | 500 |
| 3" | 8" | 3" | 12⅜" | 4 - ⅝" | 79 | 10" | 10 | 12" | 800 |
| 4" | 9" | 4¼" | 14¾" | 8 - ⅝" | 102 | 10" | 13½ | 12" | 1500 |
| 6" | 10½" | 6¼" | 19" | 8 - ¾" | 139 | 12" | 19½ | 12" | 3600 |
| 8" | 11½" | 8¼" | 22½" | 8 - ¾" | 208 | 14" | 25½ | 12" | 6700 |
| 10" | 13" | 10¼" | 26½" | 12 - ⅞" | 340 | 18" | 31½ | 12" | 10500 |
| 12" | 14" | 12¼" | 30" | 12 - ⅞" | 446 | 18" | 37¾ | 12" | 15000 |

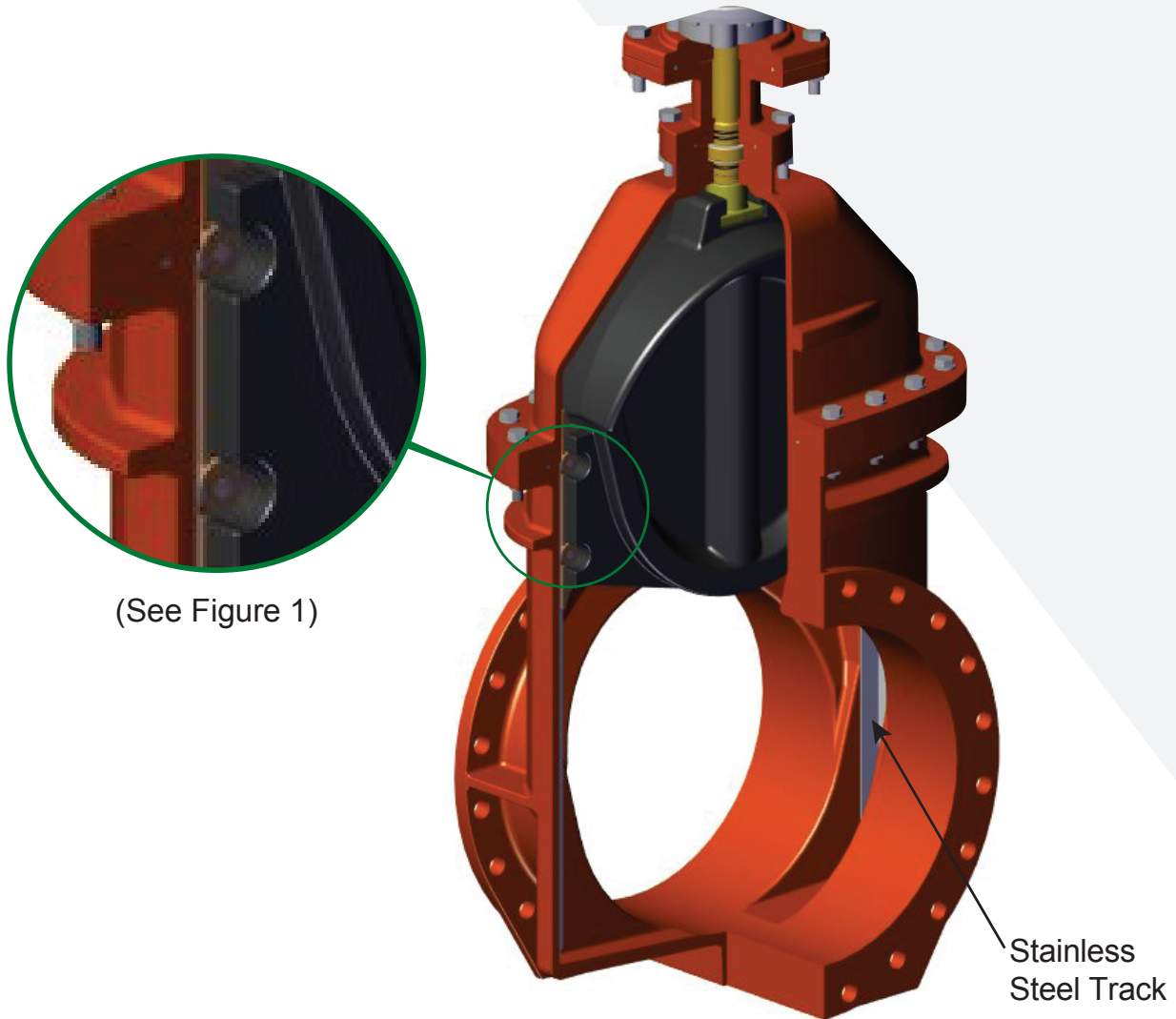
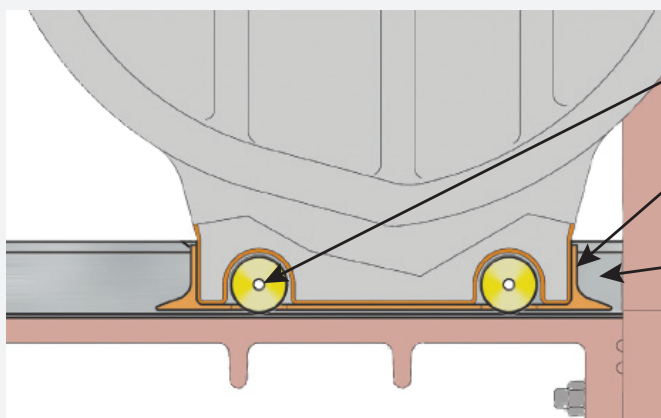


Figure 15

Cleantrack Technology™



Bronze Rollers

Rollers into scraper protect valve body from damage.

Bronze Scraper

Bronze scraper affixed to resilient wedge wing designed for long life performance.

Stainless Steel Track

316 stainless steel track for corrosion and wear resistance.
*Rollers, Tracks & Scrapers (RTS) standard on 24" valves

Figure 16