

Kennedy Swing Check Valves are for use to ensure flow in one direction. The bronze-to-bronze seat (1126) is designed with ample tolerances to compensate for seat ring wear. The spinning action of the disc creates a regrinding effect that cleans the seat ring of foreign particles. The disc is also self-adjusting. The resilient seated (1126A) works as an “absolute seal” and softens the closing effect. All moving parts of these valves are bronze to bronze, minimizing wear and corrosion problems.

Kennedy UL / FM / ULC check valves can be installed in the horizontal or vertical orientation. The 1126 and 1126A are available tapped for easy installation of gauges at up to six locations. The disc design facilitates spinning and thus renewable seating performance during normal operation. Our modern cover design allows for simple inspection and service utilizing a tapped body, eliminating nut and bolt combinations seen on older products. We also use an o-ring system for modern and superior cover seating performance.

NYC MEA approved.

## Seat Construction

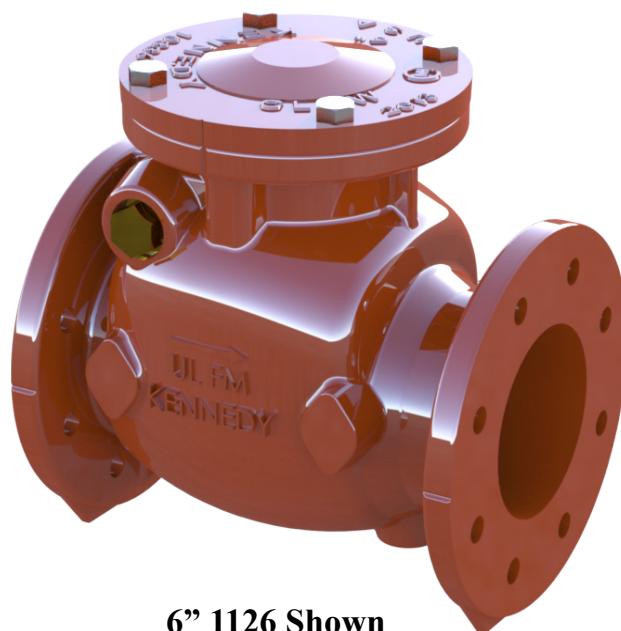
- 1126 - Bronze Seated, UL/FM Approved
- 1126A - Resilient Seated, UL/FM Approved

## Working Pressure

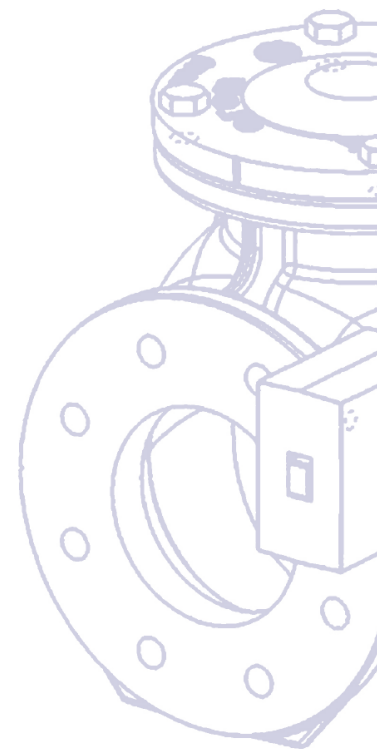
Cold Water, Non-Shock, 175 lbs. (2-12”-12”)

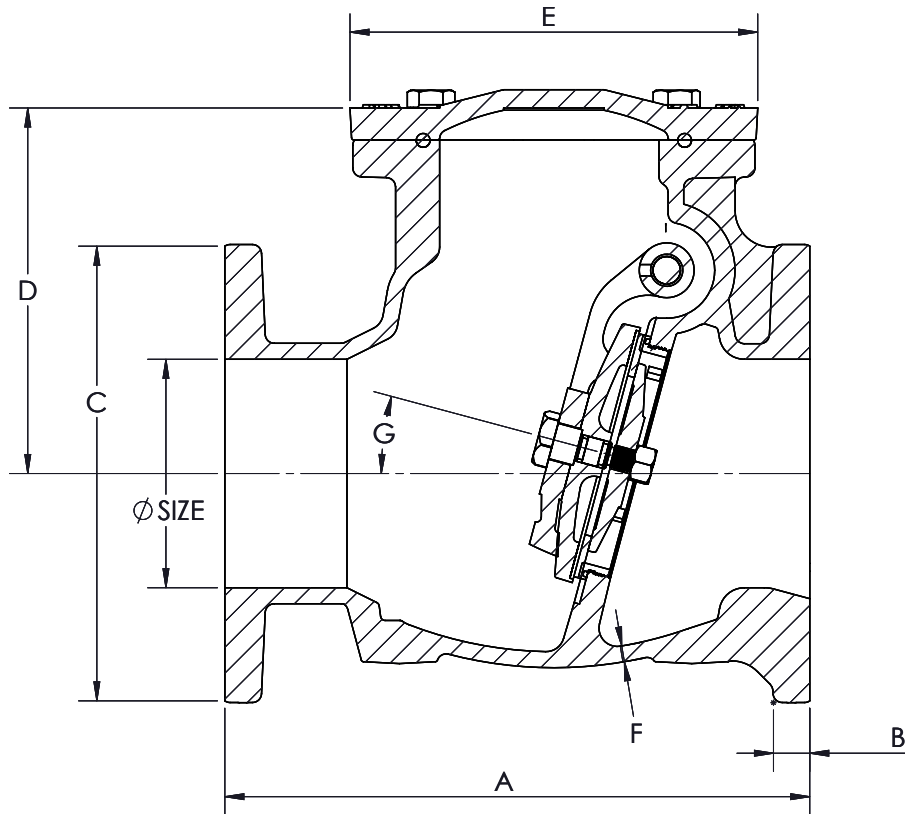
## Hydrostatic Test Pressure

Seat and Shell, 350 PSI. (2-1/2”-12”)



6” 1126 Shown





**FIGURE 1126 & 1126A STANDARD DIMENSIONS**

**WEIGHT**

SIZES	A	B	C	D	E	F	G	1126	1126A
2-1/2	10	11/16	7	6-7/16	7	1-3/32	10.0	52 lbs.	53 lbs.
3	10-1/4	3/4	7-1/2	6-5/8	7-1/2	7/16	8.0	62 lbs.	62 lbs.
4	13	15/16	9	8-7/16	9	1/2	8.0	114 lbs.	117 lbs.
6	16	1	11	10-1/8	11	5/8	12.0	193 lbs.	196 lbs.
8	19	1-1/8	13-1/2	11-7/8	13-1/2	3/4	15.0	319 lbs.	322 lbs.
10	22	1-3/16	16	13-5/16	16-3/4	1-3/16	15.0	475 lbs.	480 lbs.
12	26	1-1/4	19	15-3/16	19	7/8	15.0	680 lbs.	685 lbs.

**All dimensions shown in inches.**